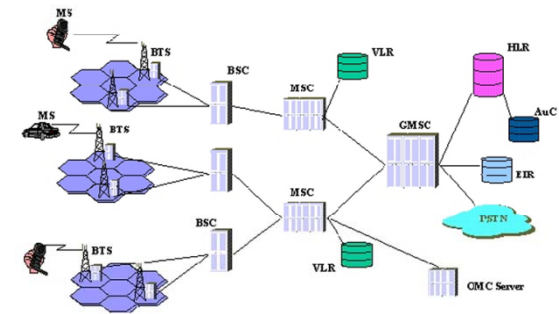
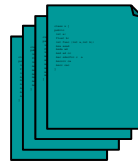
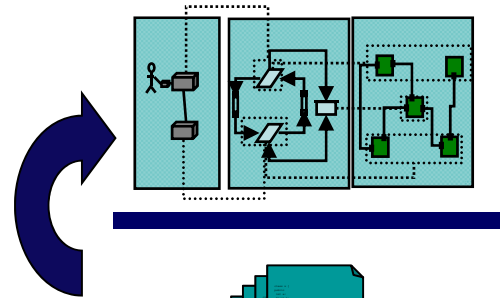
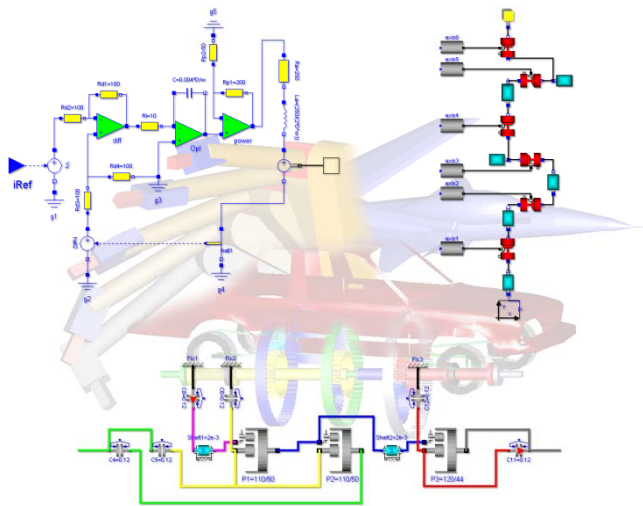


MODPROD'2011 – 5th International Workshop on Model-Based Product Development

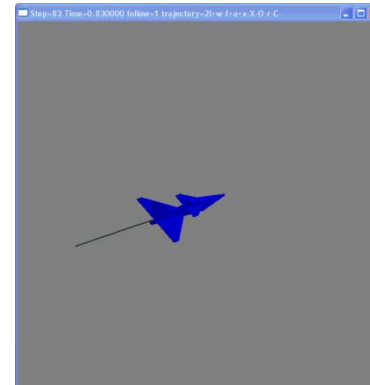
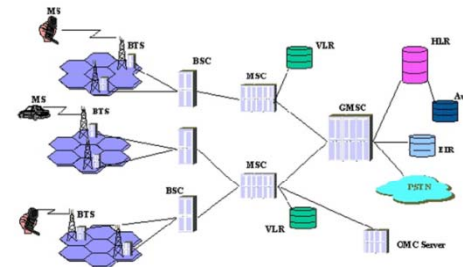
Linköping University
2011-02-09

Peter Fritzson

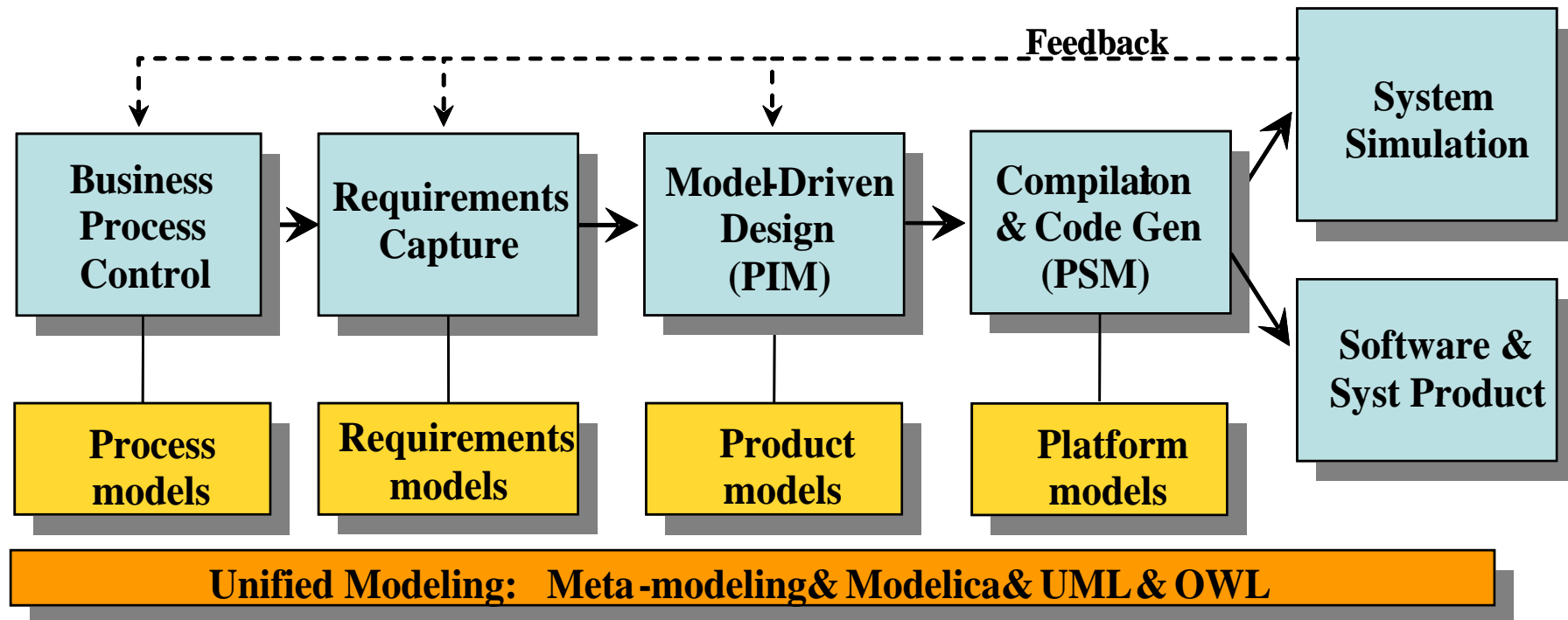


Industrial Challenges for Complex Products of both Software and Hardware

- Increased Software Fraction
- Shorter Time-to-Market
- Higher demands on effective strategic decision making



MODPROD Center – Vision of Integrated Model-Based Product Development



MODPROD Vision of unified modeling framework for model-driven product development from platform independent models (PIM) to platform specific models (PSM)

Current work based on Eclipse, UML/SysML, OpenModelica

MODPROD – Industry Partners – 15 Companies

Software/Hardware/Process Modeling

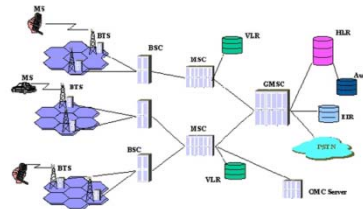
Software/Hardware Modeling

- Combitech Systems AB
- SAAB AB
- Siemens Industrial Turbomachinery AB
- Configura AB (SME)



Business Process Modeling

- Saab AB
- ABB
- Siemens



Hardware Modeling

(mostly)

- ABB Corporate Research AB
- Toyota-BT Products AB
- Mathcore Engineering AB (SME)
- Melerit Medical AB (SME)
- Parker Hannifin AB
- SKF AB
- Scania
- VTI

Software Modeling

- Ericsson AB
- IFS AB
- IBM-Telelogic AB

MODPROD Board of Directors

- **Chairperson: M.S.E. Margareta Josefsson,**
 - Previously head of Ericsson in Linköping (1995-98) during expansion period (from 45 to 700 employees in 10 years); also former Chairman of the Technology Bridge Foundation, Linköping.
- **Vice Chairperson: M.S.E. Sune Horkeby,** Siemens Industrial Turbines
- **Dr. Pär Emanuelsson,** Ericsson. R&D tools at Ericsson
- **Adj. Prof. Dag Fritzson,** SKF
- **M.S.E. Henric Andersson,** Saab
- **M.S.E. Magnus Malmberg,** BT Products
- **Dr. Mattias Nyberg,** Scania
- **M.S.E Jonas Jansson,** VTI

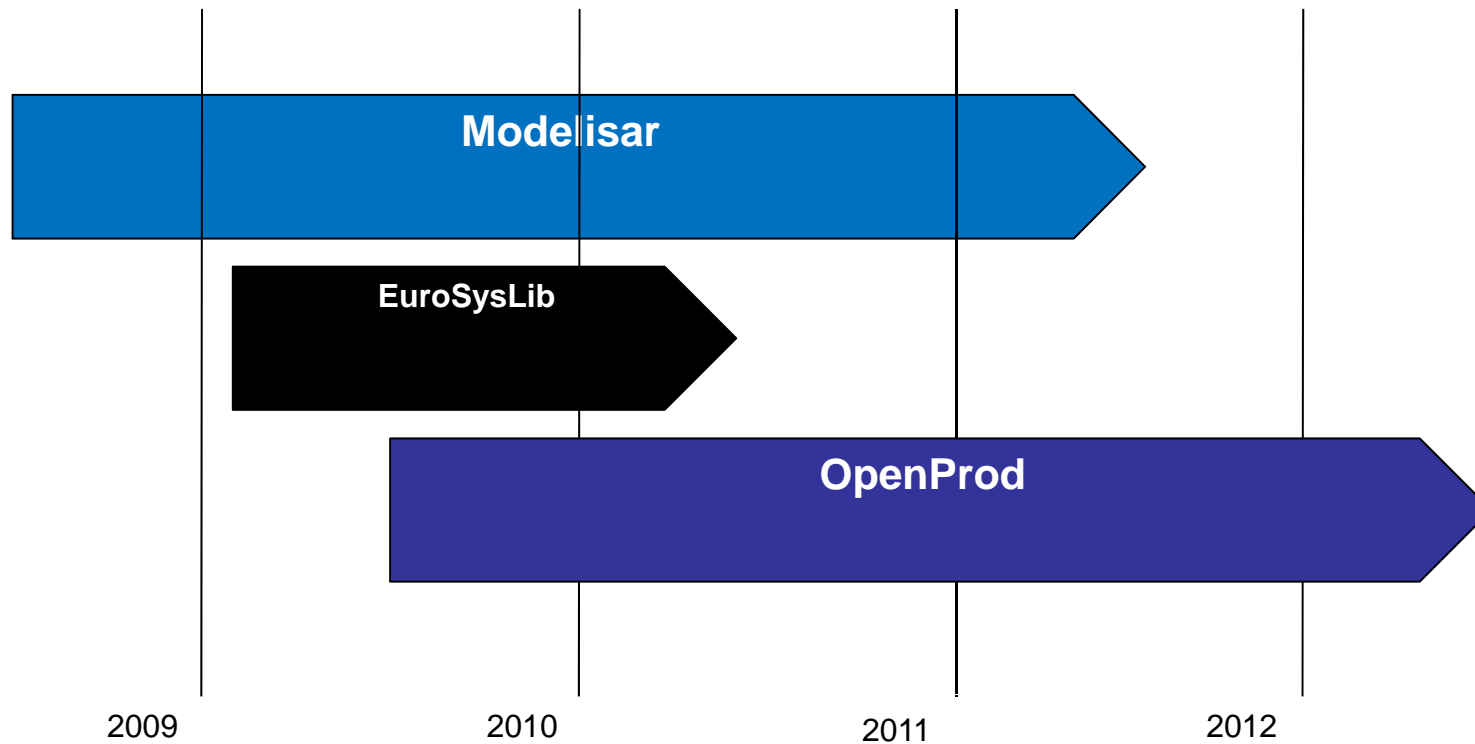
- **Prof. Peter Fritzson,** LIU, Center director
- **Prof. Petter Krus,** LIU, Vice Center director
- **Prof. Kristian Sandahl,** LIU

MODPROD Center Associated Project: OPENPROD – Large 3-year ITEA2 EU Project

28 partners from 5 countries: 11 large industries,
7 SMEs, 5 research institutes, and 5 universities.
Project size: > 90 person years,
Budget: About 11 Mill. €, Duration June 2009 - Aug 2012.
Coordination by Sune Horkeby, Peter Fritzson



Modelica ITEA2 Projects



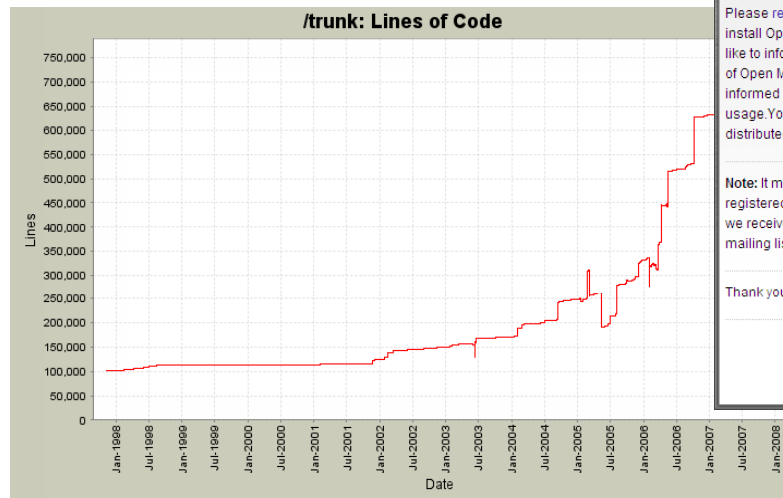
MODPROD Center Associated OSMC – Open Source Modelica Consortium, 32 org members Dec 2010

Founded Dec 4, 2007

Open-source community services

- Website and Support Forum
- Version-controlled source base
- Bug database
- Development courses
- www.openmodelica.org

Code Statistics



Hints of Coming Conferences

- Modelica conference in Dresden, Germany,
March 20-22, 2011 www.modelica.org
- EOOLT'2011 Workshop, Equation-Based
Object-Oriented Modeling Languages and Tools
Sept 5 (tentative), Zürich, www.eoolt.org
- SIMS Conference in Västerås, Sweden,
- call for short abstracts March 15
- conference **September 29-30, 2011**
- www.scansims.org